



Nireeka Smart Electric Bike

User's manual

Revenant Series

Original instructions

User's manuals in other languages are available at
<https://www.nireeka.com>

GENERAL INFORMATION	8
- FRAME NUMBER/SERIAL NUMBER.....	9
- FRAME SIZE.....	10
QUICK INSTALLATION	11
UNBOXING.....	12
INSTALLING THE FRONT WHEEL.....	13
INSTALLING THE HANDLEBAR.....	15
INSTALLING THE HANDLEBAR.....	16
INSTALLING THE DISPLAY.....	18
INSTALLING THE BOTTLE HOLDER (Optional).....	19
START RIDING	21
TURNING ON/OFF THE BIKE.....	22
BATTERY AND CHARGER	23
THE MAIN BATTERY.....	24
CHARGING THE BATTERY.....	27
DISPLAY	28
DP C01.UART (STANDARD DISPLAY).....	29
DP C18 (UPGRADED DISPLAY).....	30
BRAKES	32
ADJUSTING THE BRAKES.....	33
ABS INSTRUCTIONS (Optional).....	35
BIKE PARTS	36
STEM.....	37
SADDLE / SEATPOST.....	38
SEATPOST DROPPER (Optional).....	39
MOTOR.....	40
THROTTLE.....	40
FULL SUSPENSION GEOMETRY.....	41
ADJUSTING THE REAR SHOCK.....	42
ADJUSTING THE TIRE AIR PRESSURE.....	44
ADJUSTING SUSPENSION FORK.....	45
MAINTENANCE	47
BATTERY.....	48
CHAIN.....	49
TORQUE.....	49
SADDLE/SEATPOST.....	49
DERAILLEURS.....	50

- INTRODUCTION

Thank you for choosing NIREEKA ebikes.

We hope you will take as much pleasure from riding with it, as we have taken from developing it.

We have dedicated all our effort and know-how to your bike, but we are open to your comments. Please don't hesitate to send us your comments and feedback which will help us to improve our products.

Again, thanks for choosing NIREEKA Company!

For maximum safety, be sure to read this user's manual thoroughly before use, and follow them for correct use.

- **IMPORTANT NOTICE**

- Do not disassemble or alter this product.
- Use the product according to local laws and regulations.
- The Bluetooth® word, mark, and logo are registered trademarks owned by Bluetooth SIG, Inc., and any use of such marks by Nireeka Technologies Inc. is under license. Other trademarks and trade names are those of their respective owners.

- **IMPORTANT SAFETY INFORMATION**

Guidelines that require replacement, contact the place of purchase, or a bike dealer.

Be sure to observe the following to avoid burns or other injuries from fluid leakages, overheating, fire or explosions.

- **HANDLING THE BATTERY**

- Do not deform, modify, disassemble, or apply solder directly to the battery. Doing so may cause leakage, overheating, bursting, or ignition of the battery.
- Do not leave the battery near sources of heat such as heaters. Do not heat the battery or throw it into a fire. Doing so may cause bursting or ignition of the battery.
- Do not subject the battery to strong shocks or throw it. If this is not observed, overheating, bursting, or fire may occur.
- Do not place the battery into freshwater or seawater and do not allow the battery terminals to get wet. Doing so may cause overheating, bursting, or ignition of the battery.
- Use the Nireeka specified charger and observe the specified charging conditions when charging the specified battery. Not doing so may cause overheating, bursting, or ignition of the battery.

- **TO ENSURE SAFE RIDING**

- Do not give too much of your attention to the cycle computer display while riding, otherwise, accidents may result.

- Check wheels are installed securely on the bike before commencing riding. If wheels are not securely installed, the bike may fall over and serious injury may result.
- If riding in power-assisted mode, make sure that you are fully familiar with the starting-off characteristics of the bike before riding on roads with several vehicle lanes and pedestrian footpaths. If the bike starts off suddenly, accidents may result.
- Check that the bike lights illuminate before riding at night.

- **USING THE PRODUCT SAFELY**

- Be sure to remove the battery and charging cable before wiring or attaching parts to the bike. Otherwise, an electric shock may result.
- When charging the battery while it is installed on the bike, do not move the bike. The power plug for the battery charger may come loose and not be fully inserted into the electrical outlet, resulting in a risk of fire.
- When installing this product, be sure to follow the instructions given in the user's manual. Furthermore, it is recommended that you use only genuine Nireeka parts at these times. If bolts and nuts are left loosened or the product is damaged, the bike may suddenly fall over and serious injury may result.
- Do not disassemble the product. Disassembling may cause injury to persons.
- After reading the user's manual carefully, keep it in a safe place for later reference.

- **DISCLAIMER OF WARRANTIES; LIMITATION OF LIABILITY**

You expressly agree that your use of, or inability to use, the service is at your sole risk. The service and all products and services delivered to you through the service are (except as expressly stated by us) provided 'as is' and 'as available for your use, without any representation, warranties, or conditions of any kind, either express or implied, including all implied warranties or conditions of merchantability, merchantable quality, fitness for a particular purpose, durability, title, and non-infringement.

In no case shall NIREEKA E-BIKES, our directors, officers, employees, affiliates, agents, contractors, interns, suppliers, service providers, or licensors be liable for any injury, loss, claim, or any direct, indirect, incidental, punitive, special, or consequential damages of any kind, including, without limitation lost profits, lost revenue, lost savings, loss of data, replacement costs, or any similar damages, whether based in contract, tort (including negligence), strict liability or otherwise, arising from your use of any of the service or any products procured using the service, or for any other claim related in any way to your use of the service or any product, including, but not limited to, any errors or omissions in any content, or any loss or damage of any kind incurred as a result of the use of the service or any content (or product) posted, transmitted, or otherwise made available via the service, even if advised of their possibility. Because some countries or states or jurisdictions do not allow the exclusion or the limitation of liability for consequential or incidental damages, in such areas, our liability shall be limited to the maximum extent permitted by law.

- **USER COMMENT, FEEDBACK, AND OTHER SUBMISSIONS TO ANY OF OUR OFFICIAL CHANNELS**

If at our request, you send certain specific submissions (for example contest entries) or without a request from us you send creative ideas, suggestions, proposals, plans, or other materials, whether online, by email, by postal mail, or otherwise (collectively, 'comments'), you agree that we may, at any time, without restriction, edit, copy, publish, distribute, translate and otherwise use in any medium any comments that you forward to us. We are and shall be under no obligation (1) to maintain any comments in confidence; (2) to pay compensation for any comments; or (3) to respond to any comments.

We may, but have no obligation to, monitor, edit or remove content that we determine in our sole discretion are unlawful, offensive, threatening, libellous, defamatory, pornographic, obscene, or otherwise objectionable or violates any party's intellectual property or these Terms of Service.

You agree that your comments will not violate any third party's rights, including copyright, trademark, privacy, personality, or other personal or proprietary rights. You further agree that your comments will not contain libellous or otherwise unlawful, abusive, or obscene material, or contain any computer virus or other malware that could in any way affect the operation of the Service or any related website. You may not use a false e-mail address, pretend to be someone other than yourself, or otherwise mislead us or third-parties as to the origin of any comments. You are solely responsible for any comments you make and their accuracy. We take no responsibility and assume no liability for any comments posted by you or any third party.

- **Disclaimer**

The battery should be charged for at least 4 hours every two weeks, even if the bike is not used for any reason, although the cells will be corrupted and the warranty doesn't cover that. Bicycling involves the risk of injury and damage. By choosing to ride a bike, you assume full responsibility for the risks. Know the rules of safe and responsible riding and practice them. It is up to you to ensure you know how to use and maintain your bike. Do not ride the bike if you see a defective part or damage or any probable injury will be your responsibility. Be sure to always ride with a helmet.

Be aware that trail and road conditions are constantly changing. Use caution when bicycling and be aware that directions and advice in this Guide may not always reflect real-world conditions.

Nireeka Technologies Inc. is not responsible for personal injury or damage to personal property arising in conjunction with using this Guide. Sound judgment and proper preparation are essential to travelling by bike. Before heading out onto a bikeway, it is recommended that you check with other sources of information for the latest trail/road conditions.

Do not tamper with your bike. Tampering is removing or replacing any original equipment or modifying your bike in any way that may change its design and/or operation. Such changes may seriously impair the handling, stability, and other aspects of the bike, making it unsafe to ride.

Tampering can void the warranty and render your bike, not in compliance with the applicable laws and regulations. To ensure safety, quality, and reliability, use only original parts or NIREEKA authorized

replacements for repair and replacement. NIREEKA is not responsible for any direct, incidental, or consequential damages, including, without limitation, damages for personal injury, property damage, or economic losses due to tampering.

GENERAL INFORMATION

- **FRAME NUMBER/SERIAL NUMBER**

All the Nireeka bikes come with a unique frame number printed on the frame. You will need this frame number along with your order number for various purposes such as registering your bike in your country and getting insurance for your bike. In order for getting any after-sales services from Nireeka, you might be asked to take a picture of your frame number and send it to the Nireeka representatives. Your frame number on your Revenant is printed on the back of the seat tube in the below format.

“19” - REVENANT - #0555”

The first number is your frame size in inches. Check page 10 for more details about the frame size.

The second item is your model name, which is REVENANT in this case.

The third one is your frame number.

- FRAME SIZE

Getting the correct size bike is very important. The frame is the most expensive and hardest to replace part of your bike. Frame size generally refers to frame height, the length of the seat tube from the bottom bracket (crank bearing) to the top tube. (The size of a bike is typically measured at the frame. The measurement typically refers to the length of the seat tube, top tube, or the distance from the center of the bottom bracket to the end of the seat tube.)

According to the frame size chart below, the right frame of your own easily could be chosen:

HEIGHT	BIKE SIZE	FRAME SIZE	FRONT WHEEL SIZE	REAR WHEEL SIZE
5'1" to 5'5" 155 to 165 cm	S	17 Inch / 43.18 cm	27.5"x2.8"	27.5"x3"
5'5" to 6'1" 165 to 185 cm	M	19 Inch / 48.26 cm		
6'1" to 6'8" 185 to 210 cm	L	21 Inch / 53.76 cm		

QUICK INSTALLATION

UNBOXING

Check the box carefully for any damage.

Put the box on the ground and pull the package out by grabbing the frame and rear wheel.

The package includes:

- Nireeka Revenant fully-assembled bike
- Front-wheel
- Saddle
- Battery
- Charger
- Battery key (Inside the Charger box)
- Pedals
- Wooden Beam (in some models)
- LCD Display
- Extras (Any other parts and accessories that you've ordered such as taillight, helmet, backpack, etc)

*Your upgrades are included.

ATTENTION:

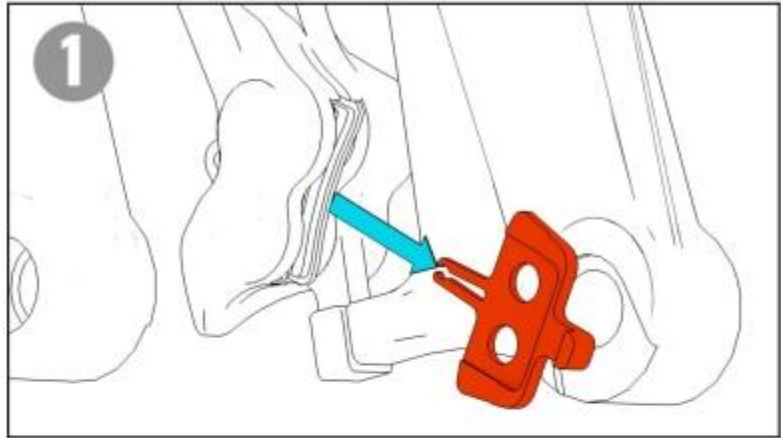
Every NIREEKA E-bike is delivered in a custom E-bike box already almost fully assembled.

The only part that needs to be assembled in the front wheel, the handlebar, and the display.

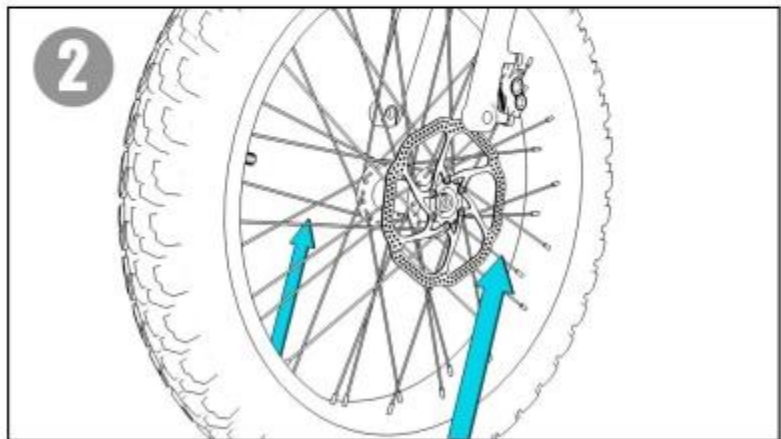
INSTALLING THE FRONT WHEEL

The front wheel hub is the **thru-axle** model.

1. Pull out the brake's pad protector gently. (See photo No.1)



2. Locate the rotor inside the brake calliper and align the hub in the front fork dropout. (See photo No.2)

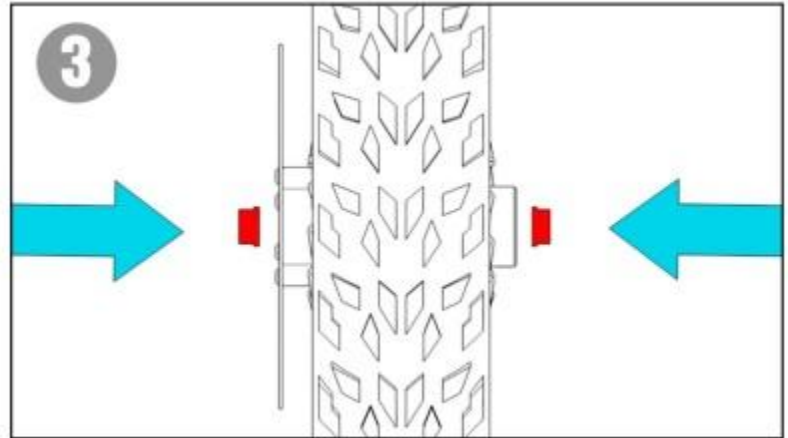


NOTE: When installing the front wheel in the fork, make sure the brake pads aren't dislodged.

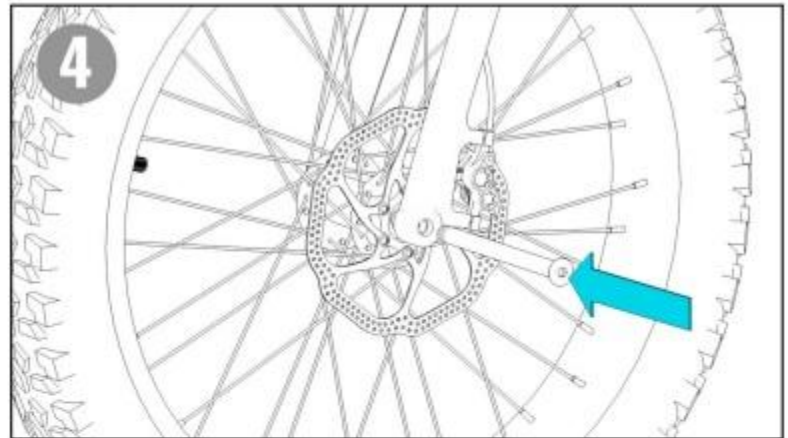
WARNING

Check the front axle to be secured otherwise it causes serious damage or death.

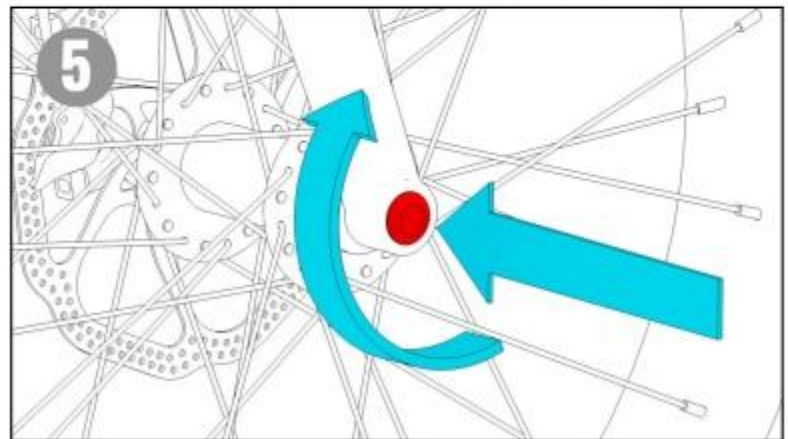
3. Insert two pieces of bushings on the right, and left sides. (See photo No.3)



4. Insert the thru-axle shaft from the rotor side. (See photo No.4)

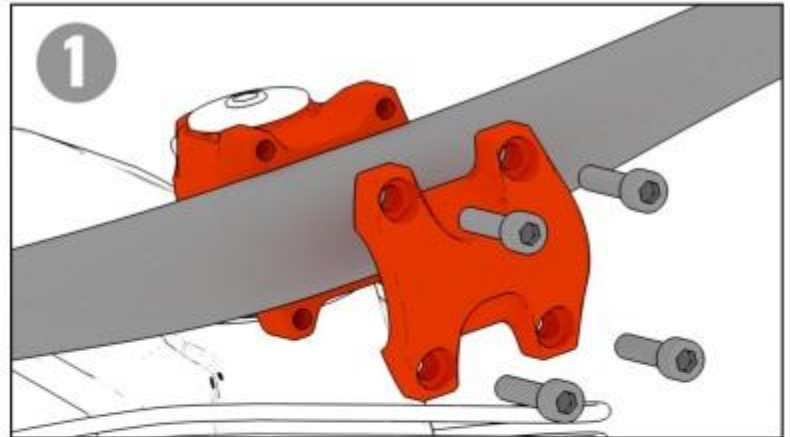


5. Fasten the shaft nut using a 7/8" (22mm) open-end wrench. (Torque: 9-13.5 N.m) (See photo No.5)

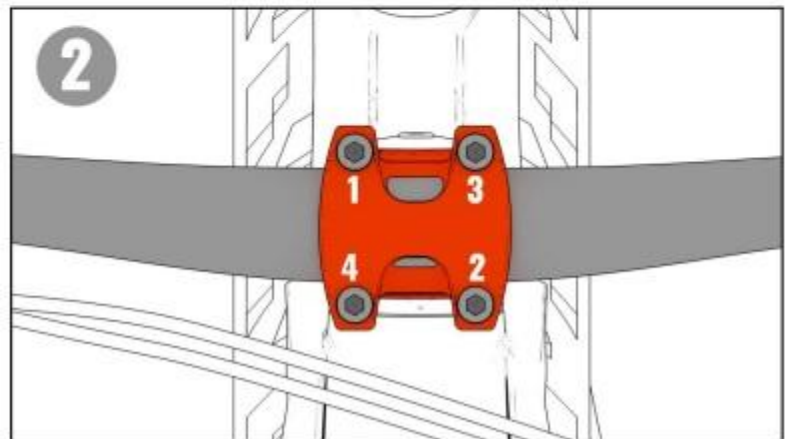


INSTALLING THE HANDLEBAR

1. Adjust the handlebar in the proper and straight position. (See photo No.1)

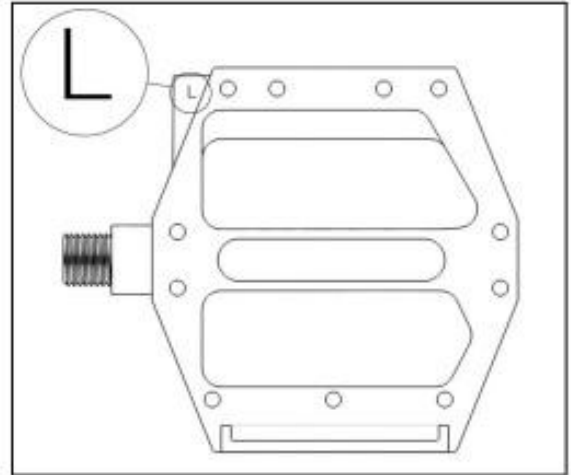


2. Fasten the bolts on the back of the stem respectively. (See photo No.2)

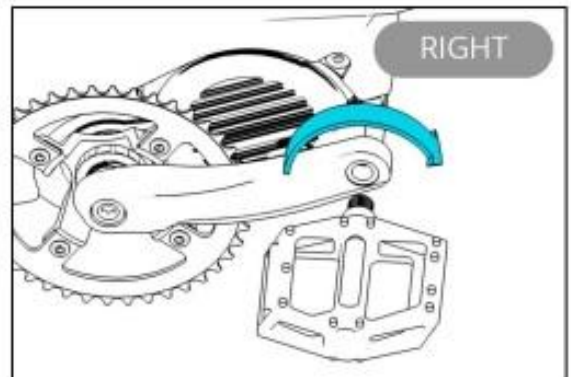


INSTALLING THE HANDLEBAR

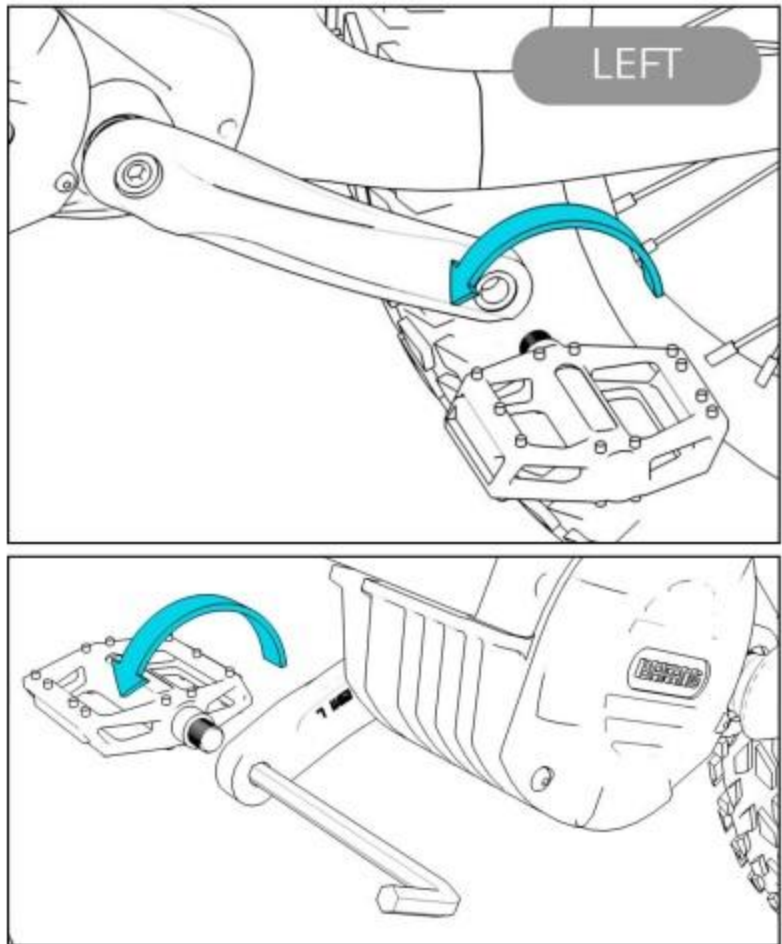
1. There is a small letter on each pedal indicating on which side it should be installed. You need to install each pedal on the correct side of the Crank Arm. "L" stands for Left and "R" stands for Right.



2. If you're standing on the right side of the bike, the right pedal should be tightened clockwise using a 6mm Allen key, as shown in the picture.

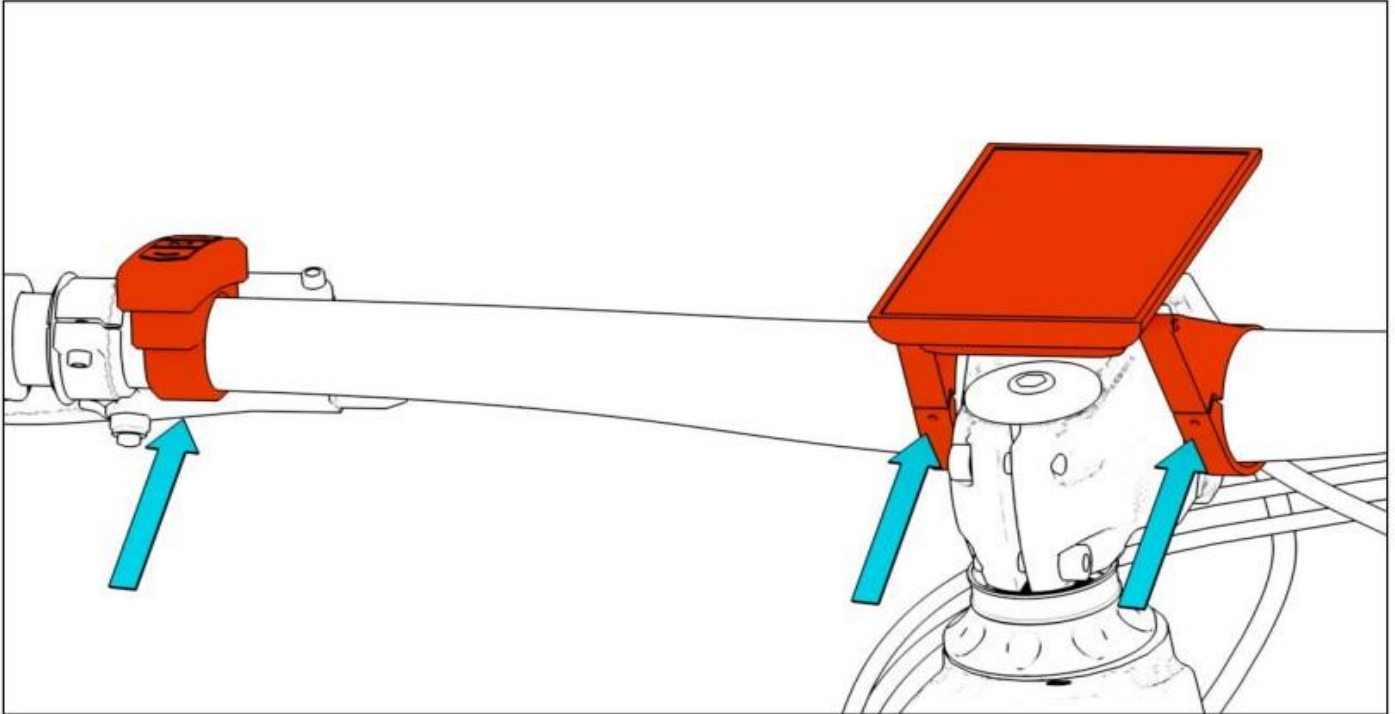


3. If you're standing on the left side of the bike, the left pedal should be tightened anticlockwise using a 6mm Allen key, as shown in the picture.



Note: You can also use a 15mm open-end wrench instead of an Allen key.

INSTALLING THE DISPLAY



1. Open the clamp band's screw and install it in the correct place over the handlebar.
2. Adjust the angle of the display so that it is easy to be seen while riding, and then use a 3mm Allen key to tighten the clamp bolt. (Torque: 0.8 N·m)

ON/OFF BUTTON

To turn on the power, press and hold (>2 Sec.) till power is on the display. The display begins to operate. Press and hold (>2 Sec.) again to power off the display.

NOTE: After 5 minutes of inactivity, the display will be automatically turned off.

INSTALLING THE BOTTLE HOLDER (Optional)

The bottle holder/cage doesn't come as a standard extra with the bike but the Nireeka bike has a standard mounting point on the frame where you can install your bottle cage on the bike frame using the below structures.

1. Use an Allen key and remove the two bolts on the bike frame.
2. Now line the mounting holes with the holes on the frame. Put the screws and hand tighten them back onto the frame.
3. Then use the Allen wrench and tighten the bottle holder securely. Now you're ready to stay hydrated on your ride!

WOODEN BEAM

This beam is designed to protect the fork steerer when the shipping companies put the box on the wrong side!

You can easily remove the wooden beam of the front axle, where the front wheel should be installed thru-axle.

Open the shaft nut using a 7/8" (22mm) open-end wrench, to release the wooden beam.

You don't need this wood anymore.

FRAME PROTECTOR

There is a spare frame protector in the box (for some models) that doesn't need to be installed since you already have one on your bike; which protects the frame from hitting the fork.

START RIDING

TURNING ON/OFF THE BIKE

When the battery is inserted and charged, there are two power buttons on the bike that should be pressed to turn the bike on.

1. Frame Power Button: There is a round power button on the frame next to the battery lock. It should be pressed in to turn the battery on.

NOTE: You need to turn the battery off when you're not using the bike to prevent the battery drain.

2. Display Power Button: There is a power button on the handlebar with a power icon on it. Press and keep this button for 3 seconds to turn the display and the bike on. Pressing and keeping this button again will turn the bike off.

BATTERY AND CHARGER

THE MAIN BATTERY

1. Power Button: Unlike the other Nireeka models, the power button of the battery is located on the frame, next to the battery lock.

2. Battery LEDs: There is no LED indicator on the battery.

3. Discharge Connector: This connector plugs into the male side of the battery bracket when the battery is installed on the bike.

Charger LEDs: When green, either the battery is not connected or the battery is fully charged. When red, it means the battery is charging. The charger has a smart cut-off system. When the battery is fully charged, it turns off automatically.

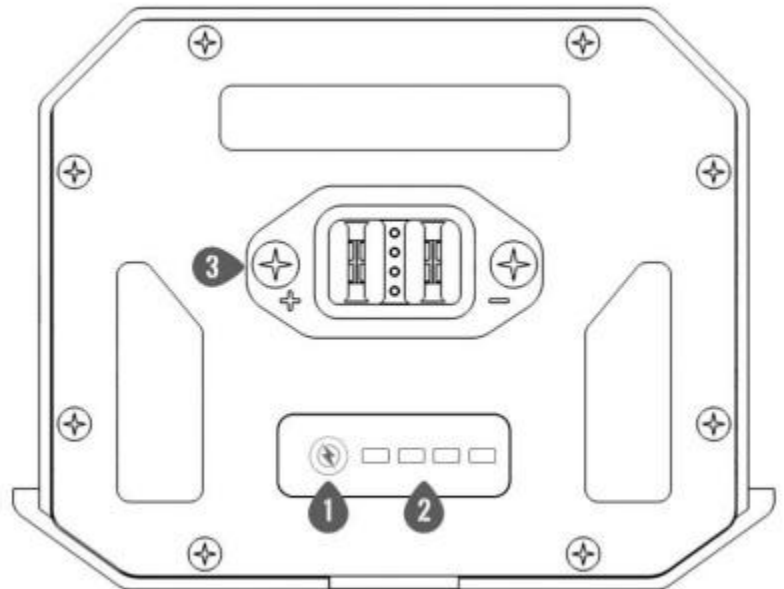


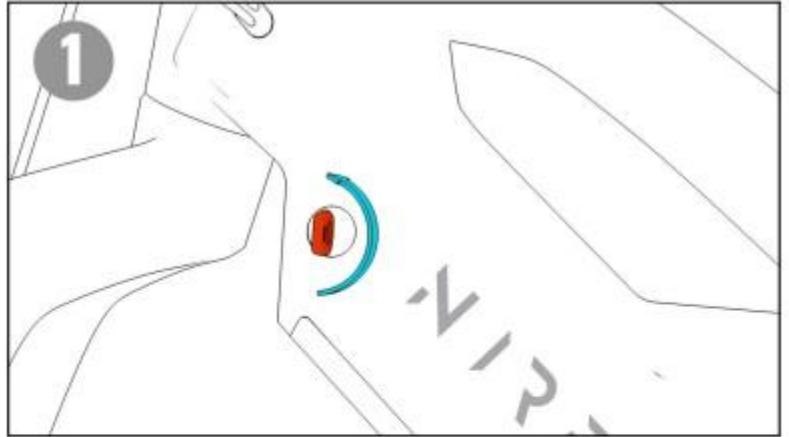
Figure A

ATTENTION:

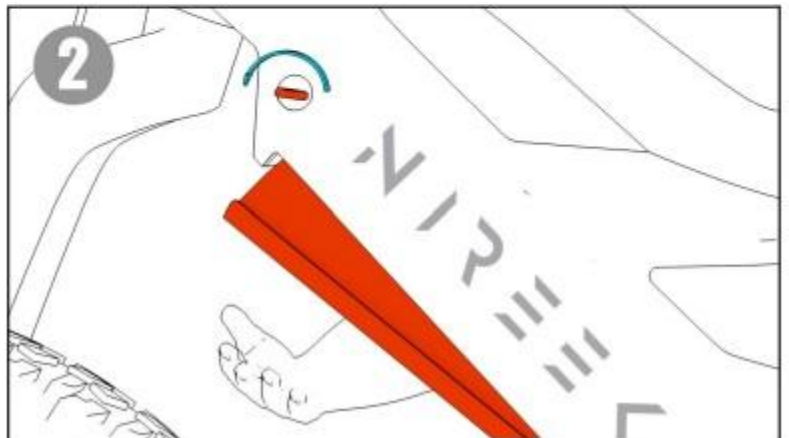
All the batteries are identical in dimensions regardless of the capacity.

REMOVING THE BATTERY

1. The battery lock is placed on the left side of the bike. Rotate the key anticlockwise to unlock it with your left hand. (See photo No.1)



2. The battery drops in your right hand. Pull it off to remove the battery. (See photo No.2)



*Your NIREEKA REVENANT bike has been fitted with a quick-release battery post-fitting, which has a separate door, and without using any key the door can be opened and close. By removing the battery door, the bike can be ridden as a conventional bike

WARNING

Make sure you keep your hand under the battery before unlocking it or the battery may drop resulting in injury or damage to the battery.

REINSTALLING THE BATTERY

1. Insert the bottom side of the battery into the frame.
2. Push the battery into the frame to hear the click sound.



WARNING

Check carefully if the battery is secured. Dropping the battery while riding can cause serious damage.

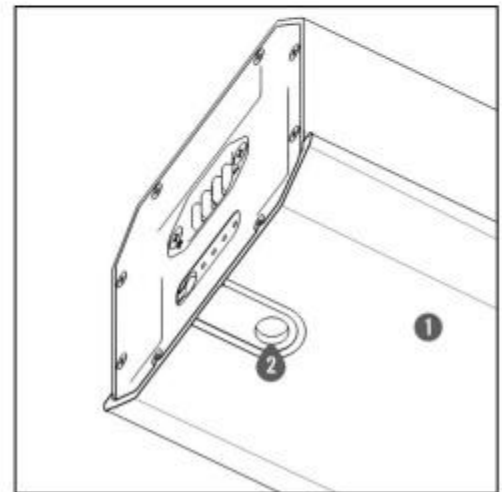
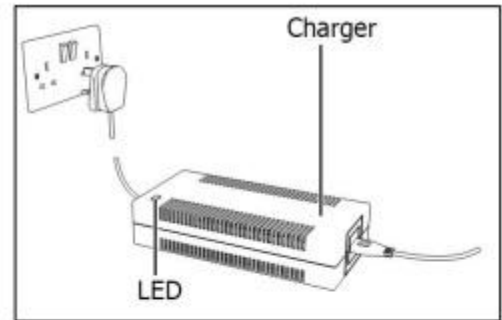
CHARGING THE BATTERY

1. Connect the charger power plug to the outlet.
2. Remove the waterproof socket cover on the battery.
3. Insert the charging plug into the battery's charging port.

ATTENTION:

Charge the battery on a flat surface indoors, and do not leave it where you cannot see it during charging.

1. Bottom of the battery
2. Charging port



WARNING

- Do **NOT** leave the battery while charging. The battery and charger must be seen during the charging time. Leaving the battery while charging may lead to fire or serious damage.
- When charging the battery while it is mounted on the bike, be careful not to trip over the charger cord or get anything caught on it. This may lead to injury or cause the bike to fall over, or damage the components.

DISPLAY

DP C01.UART (STANDARD DISPLAY)

Power/Mode Button

1. "+" button
2. "-" button

Press and hold the power button to turn on the display/bike.



1. Battery capacity indication
2. General mode indication
3. Indication for support level
4. Indication for walk assistance
5. Time indication
6. ODO indication
7. Trip indication
8. Trip data indication
9. Distance unit
10. Speed unit
11. Speed indication



DP C18 (UPGRADED DISPLAY)



1. Power button
2. Menu
3. Light
4. "+" button
5. "-" button

Press and hold the power button to turn on the display/bike.

1. Time indicator:

The time is represented in the 24-hour system and shows the current time, time can be set in the "Set clock" menu.

2. USB charging indicator:

When an external device connects to the display, it shows the USB symbol.

3. Headlight indicator:

Only shows when the headlight is on. (not implemented on Nireeka products)

4. Speed scale indicator:

The scale value is in accordance with the digital value.

5. Selected mode indicator:

Single-trip distance (TRIP) → Total distance ODO → Maximum speed (MAX) → Average speed (AVG) → Remaining distance (RANGE) → Energy consumption (CALORIES) → Time (TIME).

6. Battery level indicator:

Displays current battery level value.

7. Voltage/percentage indicator:

Displays actual battery level value, display mode can be set in the "Soc View".

8. Digital speed indicator:

Displays current speed value. Speed unit can be set in "Unit".

9. Power/current scale indicator:

Displays current output value, output unit can be set in the "Power View" menu.

10. Power/walk assistance indicator:

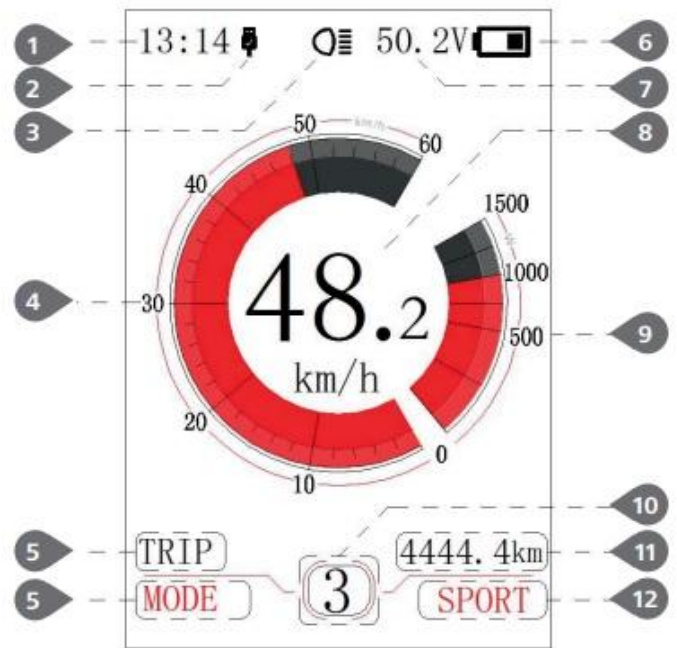
Displays the levels as "0"/"1"/"2"/"3"/"4"/"5"/"". Briefly press (0.5S) + or - to switch the level. Touch and hold (2S) to start "walk assistance" mode.

11. Data indicator:

Displays current data corresponding to the related mode.

12. Riding mode indicator:

The current riding mode, "SPORT" or "ECO", can touch and hold (2S) to switch between modes.



BRAKES

ADJUSTING THE BRAKES

Since the brakes on all the Nireeka bikes, including your Revenant are hydraulic, you need to inspect the bike time to time for oil leaking.

When you receive your bike, make sure to inspect it for any liquid leak.

Adjusting hydraulic brakes on a bicycle involves making sure that the brake pads are in the correct position and that the brake calipers are properly aligned with the rotor. Here are the steps to adjust hydraulic brakes on a bicycle:

1. **Check the brake pads:** Make sure that the brake pads are properly seated and that they have enough material to provide good stopping power. If the brake pads are worn, replace them before adjusting the brakes.
2. **Loosen the brake caliper:** Locate the brake caliper and use an Allen wrench to loosen the mounting bolts. This will allow you to adjust the position of the brake caliper.
3. **Align the brake caliper:** Position the brake caliper so that it is centered over the rotor. You can use a business card or feeler gauge to ensure that the gap between the rotor and brake pads is even on both sides.
4. **Tighten the brake caliper:** Once the brake caliper is properly aligned, tighten the mounting bolts using the Allen wrench. Be sure to tighten the bolts evenly to prevent the brake caliper from shifting.
5. **Check the brake lever:** Squeeze the brake lever and make sure that the brake pads are making contact with the rotor. If there is too much play in the lever, adjust the reach and bite point using the adjustment knob on the brake lever.
6. **Test the brakes:** Take the bike for a test ride and check that the brakes are working properly. If the brakes feel spongy or weak, bleed the hydraulic system or take the bike to a professional mechanic for servicing.

It's important to note that adjusting hydraulic brakes can be a bit tricky and it's always best to refer to the manufacturer's instructions or seek help from a professional mechanic if you're not confident in your ability to do it yourself.

NOTE: If there is too much play in the lever, when you received your bike, you need to ride the bike at a moderate speed and squeeze the brake lever several times so that the lever will less play in the lever and you feel that the brake performs properly.

NOTE: If you hear a squeaking or rubbing noise from the brakes, please do the followings:

1. **Clean the brake pads and rotor:** Dirt and debris on the brake pads or rotor can cause noise and affect brake performance. Clean the brake pads and rotor with a clean cloth or paper towel and rubbing alcohol.
2. **Check the brake pads:** Worn brake pads can cause noise and may need to be replaced. Check the brake pads for wear and replace them if necessary.
3. **Check the brake alignment:** Improperly aligned brake calipers can cause rubbing or squeaking. Use an Allen wrench to loosen the brake caliper mounting bolts and adjust the position of the brake pads so they are centered over the rotor. Tighten the mounting bolts once the brake pads are properly aligned.
4. **Check the rotor for damage:** Warped or damaged rotors can cause noise and should be replaced if necessary.
5. **Check for loose components:** Loose components such as the brake caliper, rotor, or wheel can cause noise and should be tightened or adjusted as necessary.
6. Humidity can cause moisture to accumulate on the brake pads and rotor, which can reduce their friction and cause noise when braking. Additionally, the increased moisture in the air can make the brake pads more likely to squeak or chatter when in contact with the rotor. If you're living in an area with humid weather, it's normal to hear some noise from the brakes during your first use. The noise will be eliminated after a few rides.

If the above steps do not solve the problem, it may be necessary to take your bike to a professional mechanic for further inspection and repair, if the Nireeka support team suggests. A professional mechanic can check for more complex issues such as air in the brake lines or damaged brake pistons, which may require specialized tools and knowledge to repair.

WARNING

- If you're seeing oil or any liquid leaking in the brake system, you **MUST** stop riding the bike and let our support team know.

ABS INSTRUCTIONS (Optional)

ABS stands for "anti-lock braking system". It is a safety feature found on some Nireeka models, including Revenant, which helps prevent the wheels from locking up during braking. ABS works by monitoring the speed of each wheel and applying and releasing the brakes in rapid cycles to prevent the wheels from completely stopping and losing traction.

In a Nireeka bike with ABS, when the brakes are applied in an emergency situation, the ABS system rapidly pulses the brakes to keep the wheels rotating and prevent them from locking up. This helps the rider maintain control of the bike while braking, and reduces the likelihood of skidding or loss of control.

ABS is particularly beneficial in wet or slippery conditions, where the wheels are more likely to lock up during braking. It is an important safety feature that can help prevent accidents and keep the rider safe.

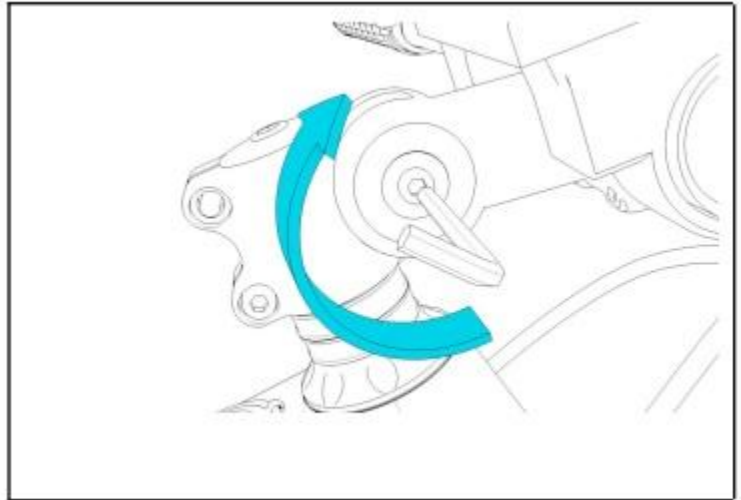
There is an ABS indicator on the handlebar. If the light on this indicator is OFF, it means the ABS is working properly. If the light is ON, you need to start riding gently and squeeze the brake lever a few times at a speed less than 8 km/h or 5 mph. If the light doesn't turn off, it means the ABS doesn't work but still the brakes work properly and you can continue to ride the bike. In this case, you need to contact the Nireeka support team to diagnose the ABS.

BIKE PARTS

STEM

Nireeka comes with two types of stems:

1. Adjustable
2. Normal



ADJUSTING ADJUSTABLE STEM:

Loosen the screws on the right side with an Allen key, then adjust the height to the desired degree, and finally tighten the screw.

SADDLE / SEATPOST

1. Install your Seatpost by loosening the Allen bolt where the Seatpost slides into the frame.
2. Twist the seat to raise or lower the post as needed and then tighten the bolt.

SEATPOST DROPPER (Optional)

A seatpost dropper allows you to adjust the saddle height without requiring you to get off your bike or even stop moving by pushing a lever on the handlebar, exactly like your gear shifter.

Simply stated, when riding in a seated position, push the lever and your body weight will drop the post all the way down. While standing, push the lever again and the dropper post will pop back up into a pre-set riding position.

MOTOR

The Nireeka REVENANT ebike comes with the most powerful hub motor made by the Bafang 1000W Hub-motor on Nireeka Revenant 1000 model and a 250W motor on Nireeka Revenant v1 model.

The motor position is on the rear wheel.

THROTTLE

Nireeka REVENANT may come with a thumb throttle installed on the left side of the handlebar. It is connected to the controller through the wire. When the display is on, push the throttle trigger gently to start moving.

**WARNING**

- Do not shift the gears when you're on full throttle/PAS 3 (or more) or the gears/the cassette might be damaged. You can only shift the gears when you're at a constant speed and not accelerating.

FULL SUSPENSION GEOMETRY

A full-suspension trail bike offers greater traction and excitement on your mountain and off-road riding adventures, and if you need a truly versatile mountain bike, you need a full-suspension trail eMTB bike. NIREEKA all-track full suspension trail electric bikes bring to you a perfect sense of professional riding together with a high level of safety. Equipped with the high-end suspension system, it gives you a significant travel range of 160mm on the front and 140-150mm on the rear shock. In order to fully profit from your bike's potential, the suspension should be set up for your weight. This setting is commonly called «SAG», which corresponds to the compression of the suspension under the weight of the rider. The level of SAG varies according to the type of fork and the type of usage of the bike, which is completely mentioned in the next section.

With Nireeka's custom-made front suspension fork and X-Fusion O2 rear shock, you have 140mm travel both front and rear.

ADJUSTING THE REAR SHOCK

Check the movement of your rear shock by releasing all air and moving the swing arm through its complete stroke. Make sure that there is sufficient clearance between the rear shock and all other components. Also, keep in mind to check the clearance between your rear shock and a lowered seat post. Make sure the shock does not hit the seat post in any position.

Tighten the screws by the frame's manufacturer's specifications.

Remember that these are the starting points and adjustments will vary based on rider ability, trail conditions, frame design, and personal preference. After setting up your rear shock, check your sag to make sure that you are within the recommended sag settings. The SAG is a value expressed as a percentage and defines the length of displacement of the stanchions about the fork or shock body, caused by your body weight when you are sitting on the bike.

The process to set the SAG on your shock is; that you simply need to follow these steps:

- Place the rubber O-ring against the shock's body.
- Sit on the bike in a normal position and wear your usual riding kit (helmet, bag, and accessories...). You can lean against a wall to avoid any sudden movements on the bike. you're looking for that rubber ring to be about a third of the way along that stroke. If it's any further down, that means your shock's too soft. So you're going to want to put a bit of air in it. Same the other way around. If that's too hard, you're not getting enough sag. So 30% tends to be a really good, all-around setup so that your shocks can be used in all that travel.
- Step off your bike gently to avoid harsh movement which you can see sag adjustment fixed.

Here is a general guideline for the proper air pressure for a bicycle rear shock based on the rider's weight:

1. For riders who weigh less than 120 lbs (55 kg), the recommended air pressure is typically between 100-120 psi.
2. For riders who weigh between 120-140 lbs (55-64 kg), the recommended air pressure is typically between 120-140 psi.
3. For riders who weigh between 140-160 lbs (64-73 kg), the recommended air pressure is typically between 140-160 psi.

4. For riders who weigh between 160-180 lbs (73-82 kg), the recommended air pressure is typically between 160-180 psi.
5. For riders who weigh between 180-200 lbs (82-91 kg), the recommended air pressure is typically between 180-200 psi.
6. For riders who weigh over 200 lbs (91 kg), the recommended air pressure is typically between 200-220 psi.

It's important to note that you can change the pressure based on your personal preferences and depending on the terrain you're about to ride the bike on.

ADJUSTING THE TIRE AIR PRESSURE

There are many considerations and factors as to how much pressure you should put inside your bike tires. For instance, the rider's weight can come into play because a rider with lighter weight requires a different amount of tire pressure to keep them balanced. A heavier rider needs to ride on a bike with much more pressure on the tires. The wheel size is also important to know about when filling up your tires. Adjust the bike tire pressure so that you'll be somehow safe from accidents like blowouts.

Our body weight is naturally pushed toward the rear tire when we're on the bike. This is because while we ride, 40% of our body weight is distributed toward the front tire, and 60% is toward the rear tire.

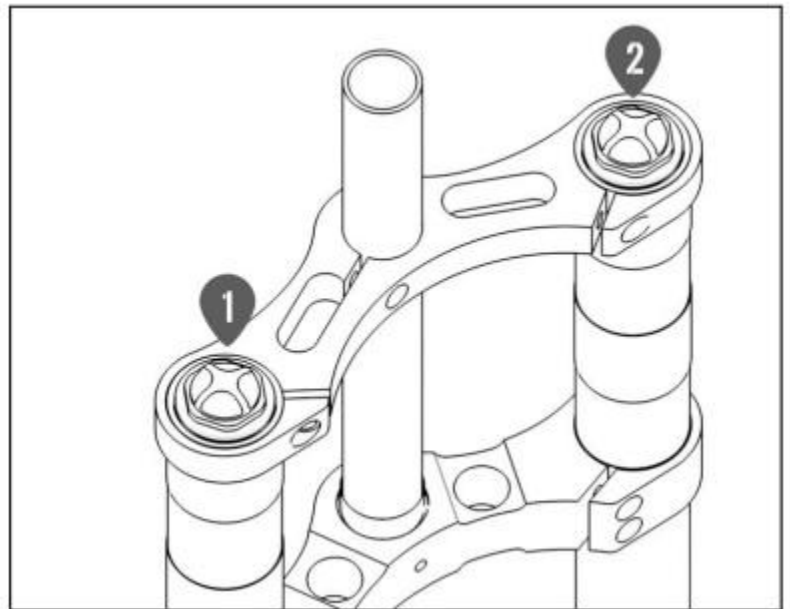
That's why the rear tire has to bear partially more weight than the front tire. To carry the extra weight, you need to fill the back tire up with more air pressure than the front one. That being said, the back tire's PSI will be slightly higher. Although the difference might be very little like 2-3 PSI, that's what makes the tire perform better. For example, if your rear tire pressure is 24PSI, then you'll need to set the front pressure as 21/22PSI.

Rider's weight	Ideal tire pressure
132 lbs / 60 kg	80 psi / 5.5 bar
158/ lbs / 72 kg	87 psi / 6 bar
187 lbs / 85 kg	94 psi / 6.5 bar
216 lbs / 98 kg	101 psi / 7 bar
242 lbs / 110 kg	108 psi / 7.5 bar
269 lbs / 122 kg	115 psi / 8 bar

ADJUSTING SUSPENSION FORK

1. To increase or decrease Low-Speed Compression (LSC) damping or adjust its sagging, rotate the knob in the direction indicated.

2. The Lockout* setting prevents the fork from compressing until a significant impact occurs. Rotate the lever, or actuate the remote, to lock and unlock the compression damper



The proper air pressure for a Nireeka fork depends on the rider's weight. Generally, a heavier rider will require more air pressure in the fork to achieve the correct amount of sag, which is the amount of compression the fork undergoes when the rider is seated on the bike.

Here is a general guideline for the proper air pressure for the fork based on the rider's weight:

1. For riders who weigh less than 120 lbs (55 kg), the recommended air pressure is typically between 50-60 psi.
2. For riders who weigh between 120-140 lbs (55-64 kg), the recommended air pressure is typically between 60-70 psi.
3. For riders who weigh between 140-160 lbs (64-73 kg), the recommended air pressure is typically between 70-80 psi.
4. For riders who weigh between 160-180 lbs (73-82 kg), the recommended air pressure is typically between 80-90 psi.
5. For riders who weigh between 180-200 lbs (82-91 kg), the recommended air pressure is typically between 90-100 psi.
6. For riders who weigh over 200 lbs (91 kg), the recommended air pressure is typically between 100-110 psi.

It's important to note that you can change the pressure based on your personal preferences and depending on the terrain you're about to ride the bike on.

MAINTENANCE

After each ride, you should clean your bike with soapy water. We also advise you to wash the battery and the display separately using a damp cloth. Dry them with the aid of a soft cloth.

Doing this will also enable you to carry out a visual check of the tubes of your bike (useful to check for the start of any possible cracks). Before storing your bike away, lubricate the transmission with a product specially designed for this. Also check the wear on your brakes, any possible buckling of the wheels, and for any play.

WARNING

- Do not use high-pressure water or air hoses for cleaning. It can force water into electric components, which may cause malfunctioning. Do not use non-neutral soap solutions to wash plastic components.

BATTERY

- The battery must be well cared for to optimize useful life and range. It is the responsibility of the bike owner to ensure the battery is looked after properly. Incorrect use or storage of your battery may cause damage and void your warranty.
- After a ride, fully recharge your battery as soon as it has cooled to room temperature.
- DO NOT use this battery on any other vehicle or appliance. Use of this battery on any other product will void the warranty and may create a hazardous condition that could cause a fire, resulting in severe injury, death, and/or property damage.
- Protect the battery from materials that may contaminate the charge port or the output port, such as dirt and sand; the ports may be difficult or impossible to clean out.
- Never subject the battery to intense physical shock or severe vibrations.

CHAIN

The chain of your bike is an important part of it, so take the time to regularly check that no link has become deformed or open as it could break while riding and cause a fall. To check the chain tension, hold the chain in the middle section between the front and rear sprockets. Move the chain up and down to check the slack on the chain, the chain tension needs to be adjusted.

The chain should be lubricated. Consult us to choose among the many types of chain lubes best suited to your climate and riding conditions.

TORQUE

Correct tightening torque for the fasteners (bolts, screws, nuts) on your bike is very important to your safety. Correct tightening torque for the fasteners is also important for the durability and performance of your bike. We urge you to have your Dealer correctly teach you to torque all fasteners using a torque wrench.

SADDLE/SEATPOST

Periodically, remove the seat post and the clamp assembly to clean, inspect for damage and renew the application lubricate. For cleaning use a clean dry towel. Do not use solvents.

DERAILLEURS

The pivot points on your derailleurs should be lubricated. Apply a small drop of oil to each pivot point and wipe off the excess.

*In the end, of course, your maintenance requirements will be determined by everything from your riding style to your geographic location. Then consult your dealer for help in determining your maintenance requirements.